



# 2026 Miss Rodeo Colorado Pageant Official Rules & Regulations

## Who is Miss Rodeo Colorado?

Miss Rodeo Colorado is the ideal western American young woman. She symbolizes the youth of Colorado who wish to promote the sport of rodeo.

## What are the qualities of a Miss Rodeo Colorado contestant?

The Miss Rodeo Colorado Pageant is not a beauty contest; however, it strives to find a representative who will act, speak, and dress in a manner consistent with the prestige the title deserves. This young woman would have the following qualities:

1. Desire to be a leader in her community and promote the state's great western heritage and western lifestyle.
2. A passion for horses and the equine industry.
3. Desire to act as the official representative of Rodeo to the general public, including the following traits:
  - Excellent sportsmanship
  - High moral and ethical character
  - Careful and humane treatment of animals
  - Understanding of the sport of rodeo
  - Ability to speak intelligently, with dignity and sincerity, to explain and promote rodeo to anyone
  - Willingness to travel across the state of Colorado and to Mountain States Circuit Rodeos
4. Interest in furthering her chosen career through higher education and special training
5. Appreciation for the rewards she receives and the value of the many sponsors of the Miss Rodeo Colorado Pageant.

## Official Rules and Regulations

### General Requirements

1. The Miss Rodeo Colorado Executive Committee has complete authority over the entire Miss Rodeo Colorado Pageant and all events and activities that involve the contestants.
2. Pageant eligibility requirements are:
  - must be assigned female at birth
  - must be single, never married, publicly engaged, and/or pregnant
  - must be 20 years of age by November 1 the year that you win the title of Miss Rodeo Colorado and not over 26 years of age by December 31 of the year of your reign
    - For MRC 2027, you will need to be 20 by November 1, 2026 and not older than 26 on December 31, 2027
    - Upon request, you must be able to provide a copy of a government issued identification (such as a birth certificate, driver's license, passport, etc.) verifying your age.
  - must show proof of legal residency of the State of Colorado for one year prior to the Pageant (auto insurance, Colorado tax return and/or driver's license or other proof as requested by the Executive Committee)
  - may not have held any other state rodeo queen title

- must not have been convicted of any felony or misdemeanor, excluding minor traffic offenses, and must agree to allow the Pageant to run a background check
- must be in good health and not have any health concerns which would prevent you from fully participating in the Pageant or serving as Miss Rodeo Colorado, if selected
- must not have been engaged in any act, which if made public, would be reasonably likely to cause harm or damage to your reputation or to the goodwill and reputation of the Miss Rodeo Colorado Pageant. If you have concerns about the applicability of this provision, please contact the Executive Committee at [missrodeocolorado@gmail.com](mailto:missrodeocolorado@gmail.com) before submitting your application.
- must sign the entry application and liability waiver
- must agree to comply with all Pageant rules as established by the Miss Rodeo Colorado Executive Committee with the possibility of disqualification for infractions
- must meet all qualifications and be eligible to compete at the Miss Rodeo America pageant

## **Preliminary Competition and Exhibitor Pageant**

1. Because it is a statewide event, the Miss Rodeo Colorado Executive Committee reserves the right to hold a preliminary competition to screen the applicants vying for the title of Miss Rodeo Colorado. The preliminary event will have a contestant portion and an exhibitor portion. Exhibitors will be held to the same guidelines and rules as contestants.
2. A \$100.00 entry fee is required for the preliminary competition for both contestants and exhibitors. This fee must be paid online at [www.missrodeocoloradopageant.com](http://www.missrodeocoloradopageant.com)
3. All entry applications for contestants and exhibitors must be received by the deadline of March 15, 2026. All applications will be submitted online at [www.missrodeocoloradopageant.com](http://www.missrodeocoloradopageant.com). While not part of your score, judges will receive a listing of when applications were received.
4. The preliminary competition and exhibitor pageant will be held on April 18, 2026. Contestants and exhibitors will be judged on personality, appearance, and horsemanship categories. A complete schedule of events will be sent to contestants after the entry deadline.
5. Each contestant and exhibitor must bring her own horse and riding equipment, which may be borrowed.
  - Animal head gear must meet American Quarter Horse Association rules
  - A tie-down may be used
  - Spurs may be worn at the discretion of the contestant during the preliminary competition
  - No stallions may be used
  - Weather permitting, there will be two rounds of Horsemanship- 1<sup>st</sup> round- Designated pattern, 2<sup>nd</sup> round- Freestyle with required elements. Please see the Horsemanship section of the Pageant Divisions for more details.
6. The finalists selected at the preliminary competition will return to participate in the final competition held in conjunction with the Greeley Stampede, as conditions allow, to compete for the Miss Rodeo Colorado title. Exhibitors will receive comments from judges to use for personal growth opportunities in preparation for future title opportunities.

## **Final Competition**

1. A \$200.00 entry fee is required. Contestants may obtain a sponsor; however, it is not mandatory. Funds must be paid online at [www.missrodeocoloradopageant.com](http://www.missrodeocoloradopageant.com)
2. The entry fees and final applications must be received by June 1, 2026. All applications will be paid online at [www.missrodeocoloradopageant.com](http://www.missrodeocoloradopageant.com). While not part of your score, judges will receive a listing of when applications were received.
3. The final Pageant Competition will be held in conjunction with the Greeley Stampede, as conditions allow. The final contestants will be guests of the Greeley Stampede for the duration of the Pageant. Food and lodging will be provided and contestants will be chaperoned, also as conditions allow.
4. Horses will be provided to contestants for the horsemanship competition. Tack and grooming equipment will be provided unless otherwise directed by committee.
5. Spurs are not allowed during Horsemanship I or II competitions.
6. At the conclusion of the Pageant, Miss Rodeo Colorado and a runner-up will be named. The winner will be required to sign the Miss Rodeo Colorado Contract.
7. The Miss Rodeo Colorado Lady-in-Waiting will be required to stay following the contest to meet with Pageant officials and sponsors. The length of stay will be announced to finalists following the preliminary competition.
8. Should the new Miss Rodeo Colorado be unable to complete her reign, the title will automatically be relinquished and the crown and all awards and benefits derived from the Pageant must be forfeited and returned.

## **General Information**

The prestigious Miss Rodeo Colorado Pageant has a home with the Greeley Stampede in Greeley, Colorado. Miss Rodeo Colorado reigns over the Greeley Stampede as official royalty and serves as official hostess to the Miss Rodeo Colorado contestants, Stampede contestants, and visitors.

As sponsor of the Miss Rodeo Colorado Pageant, the Greeley Stampede has pledged to make it a memorable experience for spectators and contestants alike, and in turn, asks for full cooperation. The Greeley Stampede is very confident that the Miss Rodeo Colorado chosen each year will represent her state in a grand manner while promoting the "Sport of Professional Rodeo" and the Greeley Stampede throughout her reign.

The Pageant will be intense and demanding. This is a time when one's entire attention and energy should be given to competing. The winner will go on to represent the state in the Miss Rodeo America Pageant and will have many fantastic opportunities before her.

If there is anything the Miss Rodeo Colorado Executive Committee can do for any contestant to make her preparations and/or stay at the Greeley Stampede easier, please do not hesitate to ask. The Executive Committee can be reached by contacting the National Director or the MRC President.

Miss Rodeo Colorado's official reign will begin January 1 of the following year and will run for one year. During the period from her selection to the official start of her reign, she will be known as "Miss Rodeo Colorado Lady-in-Waiting" and will be called upon to make appearances in that capacity. She will compete at the Miss Rodeo America Pageant during the year of her reign.

## **Schedule**

Upon receipt of each contestant's application and entry fee (following the application deadline), the MRC President will forward all pertinent information regarding the preliminary competition to the contestant for the preliminaries.

Finalists will be notified as to the required check-in time for the Pageant and will be provided an agenda of the various activities and judged events.

The contest is limited in time and there is much to be accomplished; thus, contestants are asked to be prompt and the judges will not tolerate any tardiness.

## **Chaperones**

All contestants will be under the constant supervision of chaperones. The chaperones will be there to see to needs and to escort contestants to and from functions pertaining to the Pageant. Contestants are not to go anywhere without the permission and accompaniment of a chaperone. Any infraction will be reported to the Executive Committee, who will then take appropriate action (up to and including dismissal from the Pageant).

## **Judging**

All judges are carefully selected and are invited to judge this Pageant because of their ability and expertise. The judges will be instructed to visit with all contestants as much as possible in order to get to know them.

Should a judge be approached by any contestant's family, friends, or others whose intent is to influence or harass, that judge will report the contact to the Executive Committee and appropriate corrective action will be taken.

As in all competitions, whether it is a pageant or a game of sport, there can be only one first place winner. However, everyone who participates is a winner and an enriched individual because of this experience. In this instance, each contestant can do much in her own area to promote the great "Sport of Rodeo" and to create future interest in Miss Rodeo Colorado Pageants.

In the case of a tie in the final scoring, the high score in personality will determine the winner. Any tie still existing will be settled by the judges in a special meeting.

## **Transportation**

Each contestant is responsible for transportation to and from the Pageant. All transportation needs during the Pageant will be provided by the Miss Rodeo Colorado Committee, as conditions allow.

## **Clothing**

This is not a clothing contest; however, contestants are expected, with few exceptions, to be in "full" western dress at all times.

Wardrobe limitations are as follows for the final competition:

- Five (5) dressy outfits – pantsuits, suits, skirts and dresses
- Three (3) hats
- Four (4) pair of western boots
- No limit on shirts and jeans (colored jeans are acceptable), but should be within reason
- Any MRC sponsored Pageant attire will not be counted against the above-mentioned items

This does not imply that you are required to bring this many articles, however, it does mean that you are not allowed to bring more articles than stated. This rule will be strictly enforced. Chaperones and/or the Executive Committee will check clothing for compliance.

For check-in and the get acquainted time with the judges, contestants will be required to wear a Cinch pant and shirt that can be purchased off the rack with no embellishments. No jackets or vests will be permitted.

For all horsemanship activities it is mandatory that contestants be in Cinch jeans (blue in color), form-fitting shirt with long sleeves (any color), hat, boots, and belt. Contestants shall wear a Cinch pant product for the horsemanship interview. A jacket and/or vest may also be worn.

The contestant's casual outfit for the Fashion Show must be Cinch jeans with a shirt paired with a jacket or vest. These items may be embellished. The Trending Western outfit should be an outfit that can be worn to a dressy casual or semi-formal western event.

No banners or tiaras of any type may be worn during the Pageant other than the one supplied by the Pageant. Chaps are not permitted.

## **Security**

As soon as a contestant has checked in, she is under the complete jurisdiction of the Miss Rodeo Colorado Pageant officials. This status will remain until she is released by Pageant officials. The Pageant officials are not responsible for lost or stolen articles; however, all necessary precautions will be taken to prevent loss.

## **Parents, Relatives, and Friends**

The Miss Rodeo Colorado Pageant welcomes and encourages the presence and support of parents, relatives, and friends of the contestants, but wants everyone to know there is very little unscheduled time during the Pageant. All activities, including any free time, will be under the supervision of the Pageant Chaperones.

Visiting time between contestants and friends/family will be very limited during the contest. During the orientation meeting, specific times will be designated as appropriate for visits, with approval from the chaperones. Deviations from these guidelines will be noted and may be passed on to the Miss Rodeo Colorado Executive Committee and the judges.

In case of an emergency, the chaperones and/or National Director and/or MRC President should be contacted, and the above rules may be waived.

At no time will parents, relatives, or friends of any contestant be allowed to interfere with the Miss Rodeo Colorado Pageant nor will they be allowed inside contestant hotel rooms or designated Pageant areas.

## **Pageant Grievance Policy**

To provide a fair and efficient process to address the concerns raised by contestants during the pageant, the following procedure is to be followed for all problems and/or complaints that arise. Contestants must submit concerns in writing to the Pageant Director within two hours of the incident, detailing the issue and the parties involved. The grievance will be reviewed by the Pageant Director, the National Director, and at least three other Executive Board members. This group will review the submission, discreetly interview involved parties, and gather information. A majority decision is required to act, reject, or dismiss the grievance. Decisions will be based on clear evidence of rule violations, misconduct, or misrepresentation. If action is needed, this group will consult the full Executive Board for a final ruling. All discussions remain confidential; contestants and committee members may not discuss the matter publicly during the pageant. The pageant will continue as scheduled during the review. Remedies may include warnings, point deductions, or disqualification, depending on the severity.

## **Miss Rodeo Colorado Pageant Divisions**

The judges for this Pageant are instructed that the type of young lady the Miss Rodeo Colorado Pageant seeks is one who exemplifies:

- Sincerity
- Intelligence
- Maturity
- Horsemanship ability
- Knowledge of current events
- Integrity
- High moral standards
- Public speaking ability
- Knowledge of professional rodeo
- Professional appearance

Contestants will be judged in three general fields—Appearance, Personality, and Horsemanship.

### **Appearance**

The purpose of this division is to select the young lady who rates highest in grooming, posture, poise, fashion sense, and who reflects a western image.

Judges will be looking for neatness and cleanliness in every detail such as complexion, hands, hair, hats, boots, and other wearing apparel. Meticulous care in general grooming is essential to be considered for Miss Rodeo Colorado.

A contestant's awareness of what is fashionable western dress is also a consideration. Particular attention will be given to color coordination and blending. Poise and professional behavior in every situation will be a final consideration in this category.

### **Personality**

The purpose of this division is to select the young lady who rates the highest in intelligence, common sense, conversational ability, showmanship, projection, sense of humor, genuine interest in and consideration of others, and a positive outlook.

Showmanship is defined as being able to present oneself, while projection is the ability to project one's personality whether it be from horseback in the arena, on television, or before an audience.

Questions asked by the judges in this division will pertain to the sport of rodeo, current events, and personal interests.

### **Horsemanship**

The purpose of this division is to select the young lady who rates the highest in riding ability (control of mount, the way each situation is handled), mounting and dismounting, balance, and position of hands, feet, and seat.

The horses will not be judged – only the contestant's ability and skill. The MRC Executive Committee and judges reserve the right to ask contestants to exchange horses during any horsemanship competition.

Horsemanship judging will be done with contestants in Cinch jeans (blue in color), and form fitting shirts (any color) with long sleeves. Any color accessories may be used (hat, boots, belt, etc.).

There will be two go-rounds of Horsemanship competition. There will be a draw for each contestant's mount. No contestant will ride the same horse in both go-rounds. The first round will consist of riding one of the set patterns located at the end of this document and the second round will consist of completing a list of required elements within the time allotted. The pageant judges will select the pattern to be used and, at their discretion, they may alter the pattern due to arena conditions. The current Miss Rodeo Colorado will demonstrate the pattern, including any alterations and additions, prior to the start of the Horsemanship competition.

For the second round of Horsemanship, the contestants will be required to complete a freestyle pattern within 1 ½ minutes to include, but not limited to, the following four elements in no particular order: (1) Presentation Run, (2) Lead Change, (3) Stop, (4) Back. Time will start when the shoulder of the horse crosses the plane of the gate. There will be a warning given with 30 seconds remaining. Time will stop at 1 ½ minutes when the announcer states, “time is up.”

Unless otherwise stated, the Miss Rodeo Colorado Pageant will provide saddles, saddle pads and grooming supplies. The horse owners will provide bridles.

Each contestant will be privately questioned on the following categories in a horsemanship interview: knowledge of the sport of rodeo, tack, equine anatomy and diseases, and the care and feeding of a horse.

## **Written Test**

A written test will be given over information pertaining to, but not limited to, the sport of rodeo, the Greeley Stampede, and the Miss Rodeo Colorado Pageant program.

## **Public Speaking**

Each contestant will give an extemporaneous speech during the Speech event. They will choose from topics provided by the Miss Rodeo Colorado Pageant. There will be 10 minutes for each contestant to prepare a 1 ½ minute speech. There will be a warning given at the 1 ¼ minutes. Judging is based on content, delivery, relevancy to the topic, poise, professionalism, and use of time.

Extemporaneous questions will be asked of each contestant during pageant functions. Questions may relate to the sport of rodeo, agriculture, personality, and/or current events.

## **Miss Rodeo Colorado Job Description Outline**

### **Summary**

Miss Rodeo Colorado (MRC) is recognized as the First Lady of professional rodeo in the State of Colorado. She serves as an independent contractor responsible for representing and promoting the Miss Rodeo Colorado Pageant (MRCP), its sponsors and affiliated entities, as well as the agricultural industry and Colorado’s farming and ranching heritage.

### **Key Qualifications, Responsibilities and Duties**

- Be selected by the panel of judges at the annual Miss Rodeo Colorado Pageant or officially designated as Miss Rodeo Colorado by the Executive Board of the Miss Rodeo Colorado Committee.
- Maintain continuous eligibility in accordance with the Miss Rodeo Colorado Rule Book and the Miss Rodeo Colorado contract.
- Maintain a valid United States driver’s license.
- Consistently uphold, support, and advance the mission and values of the Miss Rodeo Colorado Pageant through all appearances and actions.
- Represent the Miss Rodeo Colorado Pageant, its sponsors, and partners at rodeos, events, and activities with professionalism, dignity, and integrity at all times.
- Serve as a positive role model for youth and fellow rodeo royalty through appearance, conduct, horsemanship, knowledge, and interactions with rodeo committees, sponsors, fans, and the general public.
- Communicate clearly, accurately, and confidently—often extemporaneously—about Miss Rodeo Colorado, the PRCA, the sport of rodeo, and events being attended.
- Demonstrate excellent communication, interpersonal, organizational, and time-management skills.
- Exhibit proficiency in social media platforms and digital communication.
- Work constructively, collaboratively, and professionally with members of the Miss Rodeo Colorado Committee.

## **Time Commitment, Conditions, and Physical Requirements**

- Maintain availability for a demanding schedule that often includes extended days and long hours.
- Travel independently by commercial aircraft and personal vehicle, including navigating airports and managing luggage without assistance.
- Perform extensive horseback riding duties, including mounting, dismounting, riding unassisted for extended periods, and riding in varying weather conditions.
- Demonstrate advanced horsemanship skills, including safely riding unfamiliar horses of varying temperaments and skill levels, and exercising sound judgment to assess when a horse is unsafe to ride.
- Saddle and unsaddle a horse independently, including properly placing, fitting, and adjusting all tack required for riding.
- Safely carry and display a flag on horseback, both at a standstill and at speed.
- Stand for extended periods during appearances such as receptions, meet-and-greet events, sponsor visits, and similar engagements.

## **Compensation and Benefits**

The Miss Rodeo Colorado Executive Committee will cover certain expenses during her reign. The majority of expenses are the responsibility of the reigning Miss Rodeo Colorado. Fundraising and securing sponsors are a major part of being Miss Rodeo Colorado. The contract signed between Miss Rodeo Colorado and the Miss Rodeo Colorado Executive Committee outlines in more detail the financial commitments of the Committee and the responsibilities of Miss Rodeo Colorado.

While spreading goodwill for her community, her state, the Greeley Stampede and the "Sport of Rodeo", Miss Rodeo Colorado is garnering a rich life experience and is laying a solid foundation for her future. In addition to the opportunity of competing for Miss Rodeo America, she will receive western clothing, riding equipment, accessories, and scholarship monies. Earning and holding the title of Miss Rodeo Colorado are challenging ventures, but the potential rewards are endless.

## **Miss Rodeo Colorado Mission Statement**

This Miss Rodeo Colorado Pageant is committed to providing the opportunity for young women to participate in a positive competition. The goal of this organization is to promote the western culture through educating on the sport of rodeo and the agriculture in industry.

## **Rules of Conduct for Miss Rodeo Colorado**

Miss Rodeo Colorado should exhibit high moral standards and professional behavior in every situation.

She must be willing to attend all meetings and appearances scheduled by the Miss Rodeo Colorado Executive Committee.

Miss Rodeo Colorado must wear the banner, tiara, MRC belt buckle, and western attire whenever serving in the capacity of Miss Rodeo Colorado. The belt buckle and tiara must be worn in all publicity pictures.

Regarding attitude, she should represent a pleasant personality and be willing to help in any way that will better promote Colorado, rodeo, and the Greeley Stampede. It is her responsibility to answer questions about rodeo, agriculture, western culture, current events, etc.

Miss Rodeo Colorado is constantly in the public eye. It is always of utmost importance for her to look her best. Her appearance not only reflects how she feels about herself, but also about the title. Three areas that are stressed are posture, make-up, and grooming.

Miss Rodeo Colorado should have a polished and professional look. Remember that make-up can enhance appearance, if properly applied. At the same time, it can detract if not used correctly. Hair should be clean and well-trimmed. Hands should be manicured.

Miss Rodeo Colorado should be up to date with current western fashions. She is viewed as a trendsetter; therefore, she must be aware of new styles.

Additional pointers:

**Hat:** Hats should be appropriately shaped for the individual. The MRC Executive Committee reserves the right to change the shape of Miss Rodeo Colorado's hats if they feel it necessary. No straw hats are to be worn. Hats should not be worn on the back of the head – even if requested by a photographer. The tiara must be insured through a personal insurance policy.

**Boots:** Boots should be kept clean and polished. They should be cowboy/western boots. No roping boots should be worn with skirts. Boots should coordinate with an outfit.

**Shirts:** Shirts should be long-sleeved, form fitting, and be appropriately modest.

**Pants:** Pants should enhance the figure by being neither too tight nor too baggy. Colored jeans may be worn. Distressed jeans with holes - regardless of whether it is part of the design of the product - are not permitted.

**Buckle:** The MRC buckle is part of the official outfit and should be worn at all times.

**Jewelry:** Jewelry should be appropriate for the occasion.

**Being Miss Rodeo Colorado is a full-time job and should be treated accordingly. In addition to previously mentioned requirements and contractual obligations, the rules below must be followed at all times.**

**Boyfriends/Partners:** There shall be no outward display of affection, in person or on social media. Additionally, there shall be no presence of a boyfriend/partner when acting in an official capacity as Miss Rodeo Colorado. Boyfriends/Partners are not allowed to travel with Miss Rodeo Colorado. In addition, Miss Rodeo Colorado shall not have ever been married and cannot be currently married. She is not engaged to be married nor will she become publicly engaged to be married during her reign.

**Alcohol:** None allowed.

**Tobacco:** None allowed.

**Drug use:** Illegal drugs are not allowed. Recreational marijuana use is not allowed. Prescription drugs are to be used only as prescribed by a medical doctor.

**Appearance:** Miss Rodeo Colorado should always be presentable. During your reign, you may be recognized as Miss Rodeo Colorado even when not making official appearances. Hair, clothing and make-up should always be appropriate for this image.

**Parents:** While we encourage parents to be supportive of their daughter as Miss Rodeo Colorado; their actions should always be in the background.

**Social Media:** Any social media sites shall uphold the described values and integrity of the Miss Rodeo Colorado program.

Miss Rodeo Colorado must have access to a sound, well-behaved horse that she can use at events when needed. She does not need to own this horse, but it should be a horse that she is accustomed to and has made plans to use well in advance of any event. She should also be willing and able to ride provided horses both in and out of the arena as there are times when she will not be able to bring her own horse.

When Miss Rodeo Colorado receives an invitation to attend an event, she is expected to respond within 5-7 days. When unable to attend, she should express thanks for the invitation. When able to attend, she should include in the thank you an offer to help in any way possible i.e., model, speak, attend a luncheon, and act as hostess.

General conduct at events is as follows: Miss Rodeo Colorado will be attired, at all times, in the official outfit; she will be professional in her manners. If unusual or questionable circumstances occur, it is the responsibility of

Miss Rodeo Colorado to notify at least one member of the MRC Executive Committee (Example: An incident which could be embarrassing to the Pageant or Miss Rodeo Colorado or to either party's image). This is for mutual protection.

Miss Rodeo Colorado is expected to interact with as many people as possible at functions and should be especially cordial to other rodeo royalty.

Miss Rodeo Colorado should allow enough time to arrive at any designated location on time. If it is a rodeo performance, she should arrive at least one hour prior to the performance time.

Miss Rodeo Colorado is required to speak on numerous occasions, and she needs to be prepared at all times. She should carry an outline speech with her. It should include personal information, information about rodeo, and information about the Greeley Stampede. The MRC Executive Committee may ask to approve major speeches. Miss Rodeo Colorado should always carry promotional pictures and biographical information for newspapers, rodeo committees, etc.

Upon arriving at any rodeo, Miss Rodeo Colorado should contact a committee member and talk with them about doing media interviews. She should contact the announcer and make sure he knows she is present. She should supply the announcer with a 3x5 card that includes the following information: her name, hometown, age, brief personal history (college, career goals, etc.) and the fact that she will represent Colorado and the Greeley Stampede in the Miss Rodeo America Pageant.

Miss Rodeo Colorado should also contact the stock contractor, as it is her responsibility to arrange a horse for the Grand Entry, parades, etc. If no horse is available, she should seek out a contestant who might be of assistance. She should ask the stock contractor if there are ways that she can be more a part of the event; i.e. running the cattle out of the arena. Once approved, Miss Rodeo Colorado should make sure that she is a help rather than a hindrance to the event. She should make sure that she stays out of the way of the contestants. During the Grand Entry she should wave to the crowd and especially acknowledge small children and senior citizens. She should not sit on the fence with the rodeo contestants or behind the chutes, and she should not criticize any aspect of the rodeo including the stock contractor, rodeo committees, officials, horses, equipment, schedule of events, etc.

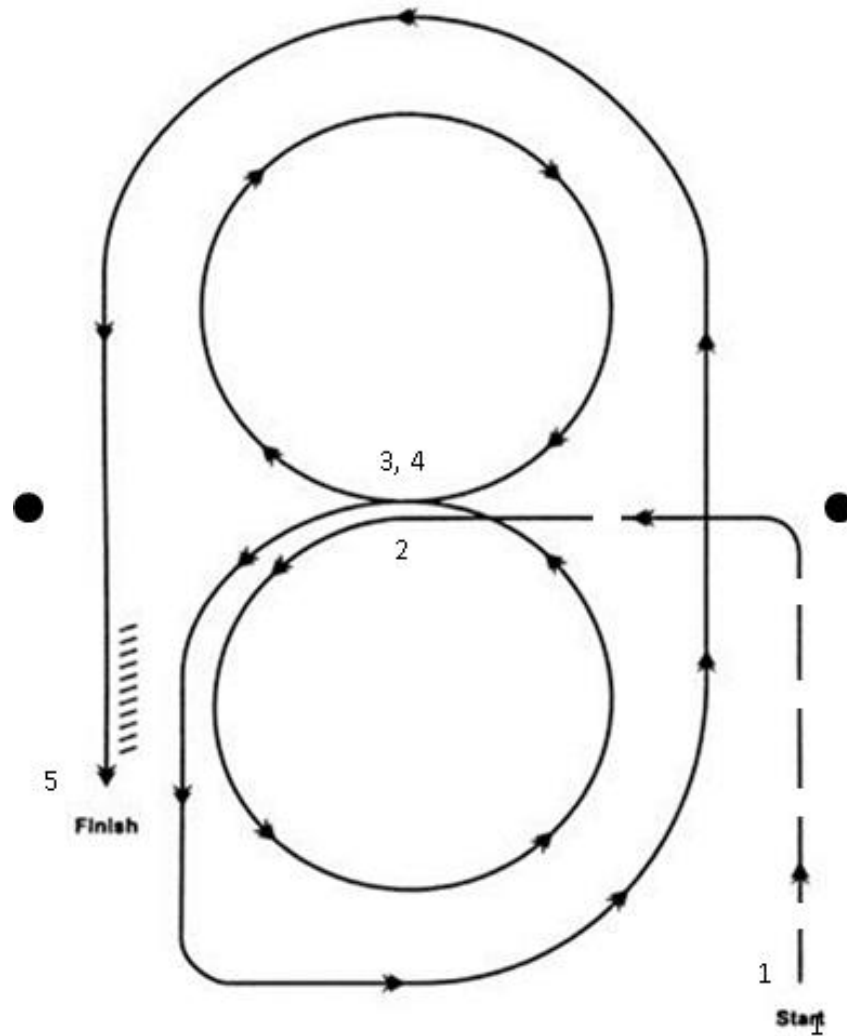
## **Formal Complaint/Grievance Process for the MRC Organization**

The Miss Rodeo Colorado Executive Board will act as a grievance committee and will be available at all times to receive any type of complaint that may occur. All grievances or charges must be filed in writing with the MRC President and submitted to [missrodeocolorado@gmail.com](mailto:missrodeocolorado@gmail.com) at the earliest possible time to the alleged offense. Complaints must include the name, address, and daytime phone number of the person filing the complaint. Anonymous complaints will not be accepted or reviewed. Complaints should include as much detail about the subject as possible for appropriate action to be taken. The complaint must indicate if a response to the complaint is desired. Any complaints that do not follow the described process will be classified as invalid.

MRC Executive Board Follow Up Procedure:

- All valid complaints will be reviewed by the MRC Executive Board. An Executive Board member will be assigned to gather information about the situation. All parties involved will be notified about the complaint and given the opportunity to respond.
- A timeframe will be established for the issue to be addressed.
- Findings will be reported back to the Executive Board.
- The Executive Board will vote and determine necessary action to be taken.
- If a grievance cannot be settled by the Executive Board, the final decision shall be that of a board consisting of the Greeley Stampede Rodeo Chairman, the MRC President, and the National Director.
- An Executive Board representative will report back to all parties involved.

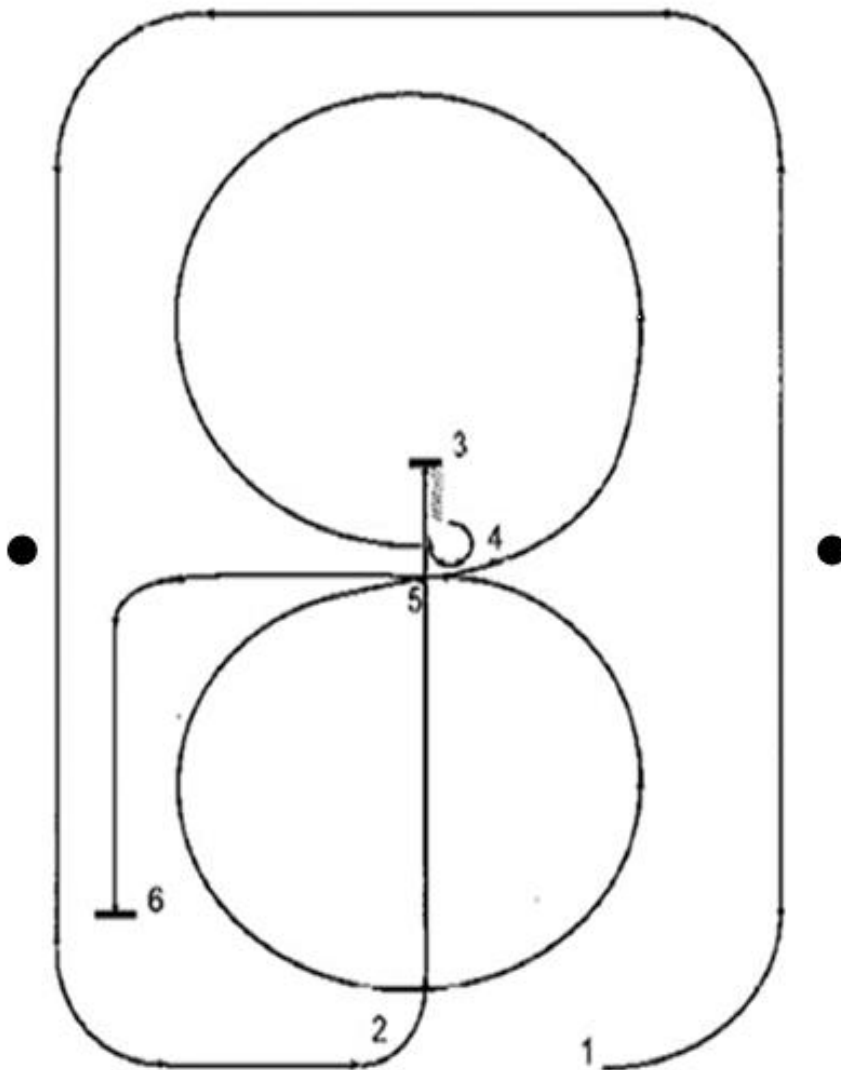
# Horsemanship Pattern 1



1. Extended jog along the side of the arena, then to the center.
2. Begin lope at center of the arena and lope a circle to the left at moderate speed.
3. Change leads at the center of the arena and lope a circle to the right at moderate speed.
4. Change leads at the center of the arena and continue around the end of the arena at an extended lope.
5. Stop and back. Pause to show completion of pattern.
6. Approach the judges for inspection and dismissal.

***The MRC judges reserve the right to make alterations and/or additions to this pattern***

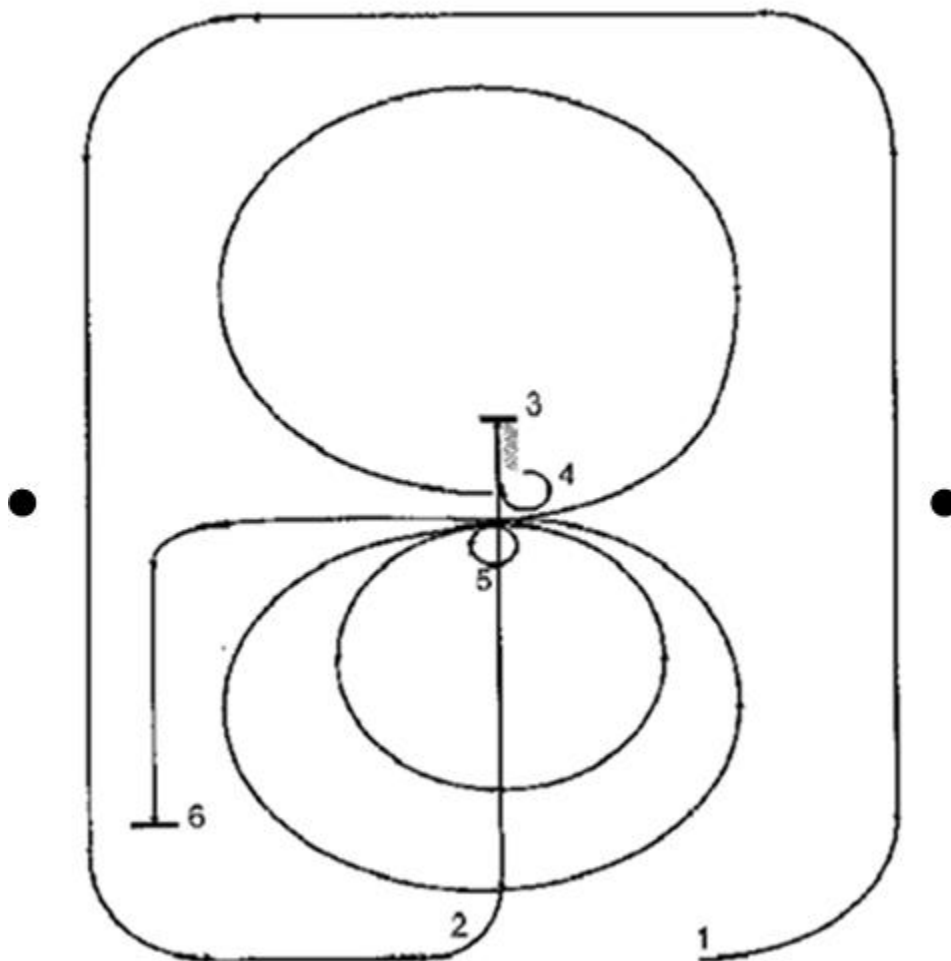
## Horsemanship Pattern 2



1. Circle the arena, on the left lead, at an extended lope.
2. Guide left and lope down the center of the arena with moderate speed.
3. Pass the center of the arena, stop and back to the center.
4. Execute a  $\frac{3}{4}$  turn to the right and lope a circle, to the right, with moderate speed.
5. Change leads and lope a circle, to the left, with moderate speed. After completing the circle, continue loping on the left lead towards the end of the arena.
6. Stop and pause to show completion of pattern.
7. Approach the judges for inspection and dismissal.

***The MRC judges reserve the right to make alterations and/or additions to this pattern.***

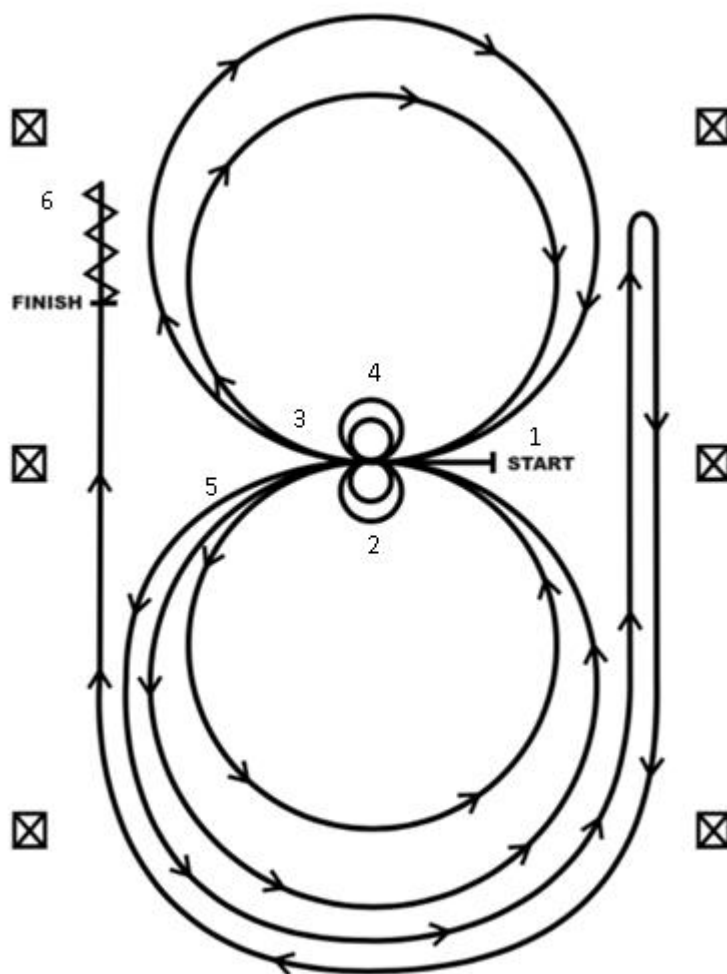
## Horsemanship Pattern 3



1. Circle the arena, on the left lead, at an extended lope.
2. Guide left and lope down the center of the arena with moderate speed.
3. Pass the center of the arena, stop, and back to the center.
4. Execute a  $\frac{3}{4}$  turn to the right, lope a circle to the right with moderate speed.
5. Stop in the center, execute a  $360^\circ$  turn, to the left. Lope a small, slow circle to the left, followed by a larger, faster circle to the left. At the center of the arena, rate back to a slower speed and continue loping on the left lead towards the end of the arena.
6. Stop and pause to show completion of pattern.
7. Approach the judges for inspection and dismissal.

***The MRC judges reserve the right to make alterations and/or additions to this pattern.***

## Horsemanship Pattern 4

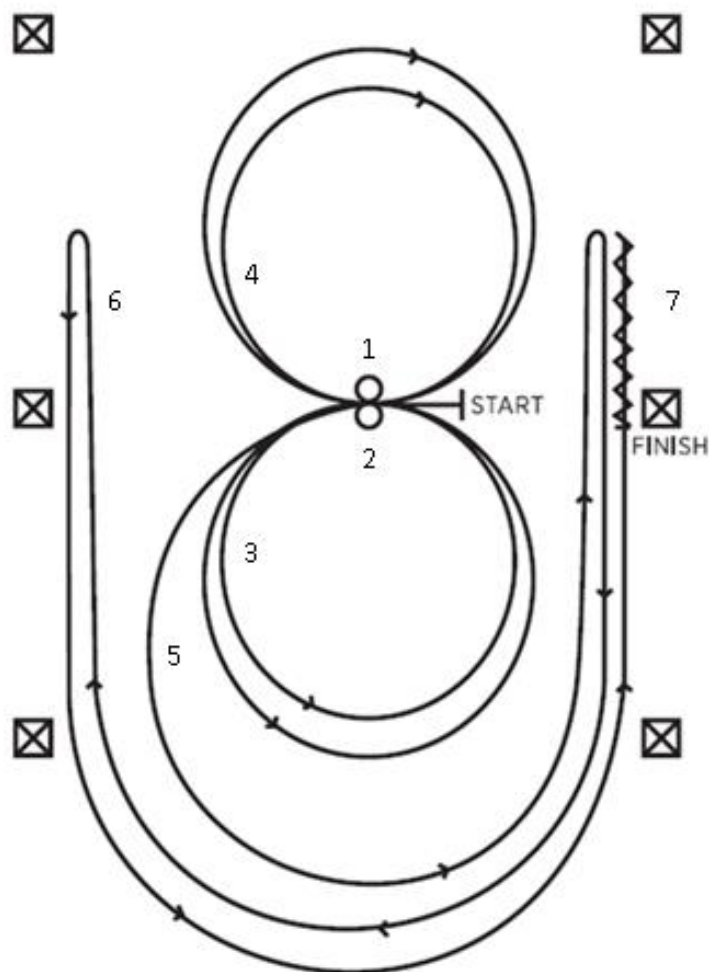


Begin the pattern at the center of the arena, facing the judges.

1. Beginning on the left lead, complete two circles to the left, with the first large and fast and second small and slow. Stop at the center of the arena. Hesitate.
2. Complete two spins to the left. Hesitate.
3. Beginning on the right lead, complete two circles to the right, with the first circle large and fast and the second small and slow. Stop at the center of the arena. Hesitate.
4. Complete two spins to the right. Hesitate.
5. Beginning on the left lead, go around the end of the arena, run down the right side of the arena, past the center marker, stop and roll back right.
6. Continue around the end of the arena to run down the left side of the arena, past the center marker. Stop. Back up.
7. Approach the judges for inspection and dismissal.

***The MRC judges reserve the right to make alterations and/or additions to this pattern.***

## Horsemanship Pattern 5



Begin the pattern at the center of the arena, facing the judges.

1. Complete one spin to the right. Hesitate.
2. Complete one spin to the left. Hesitate.
3. Beginning on the left lead, complete two circles to the left, with the first circle large and fast and the second small and slow. Change leads at the center of the arena.
4. Complete two circles to the right, with the first circle large and fast and the second small and slow. Change leads at the center of the arena.
5. Begin a large fast circle to the left, but do not close this circle. Run up the right side of the arena, past the center marker, and do a right rollback, no hesitation.
6. Continue back around the previous circle, but do not close this circle. Run up the left side of the arena, past the center marker, and do a left rollback, no hesitation.
7. Continue back around the previous circle, but do not close this circle. Run up the right side of the arena, past the center marker. Stop. Back up at least 10 feet and hesitate to show completion.
8. Approach the judges for inspection and dismissal.

***The MRC judges reserve the right to make alterations and/or additions to this pattern.***